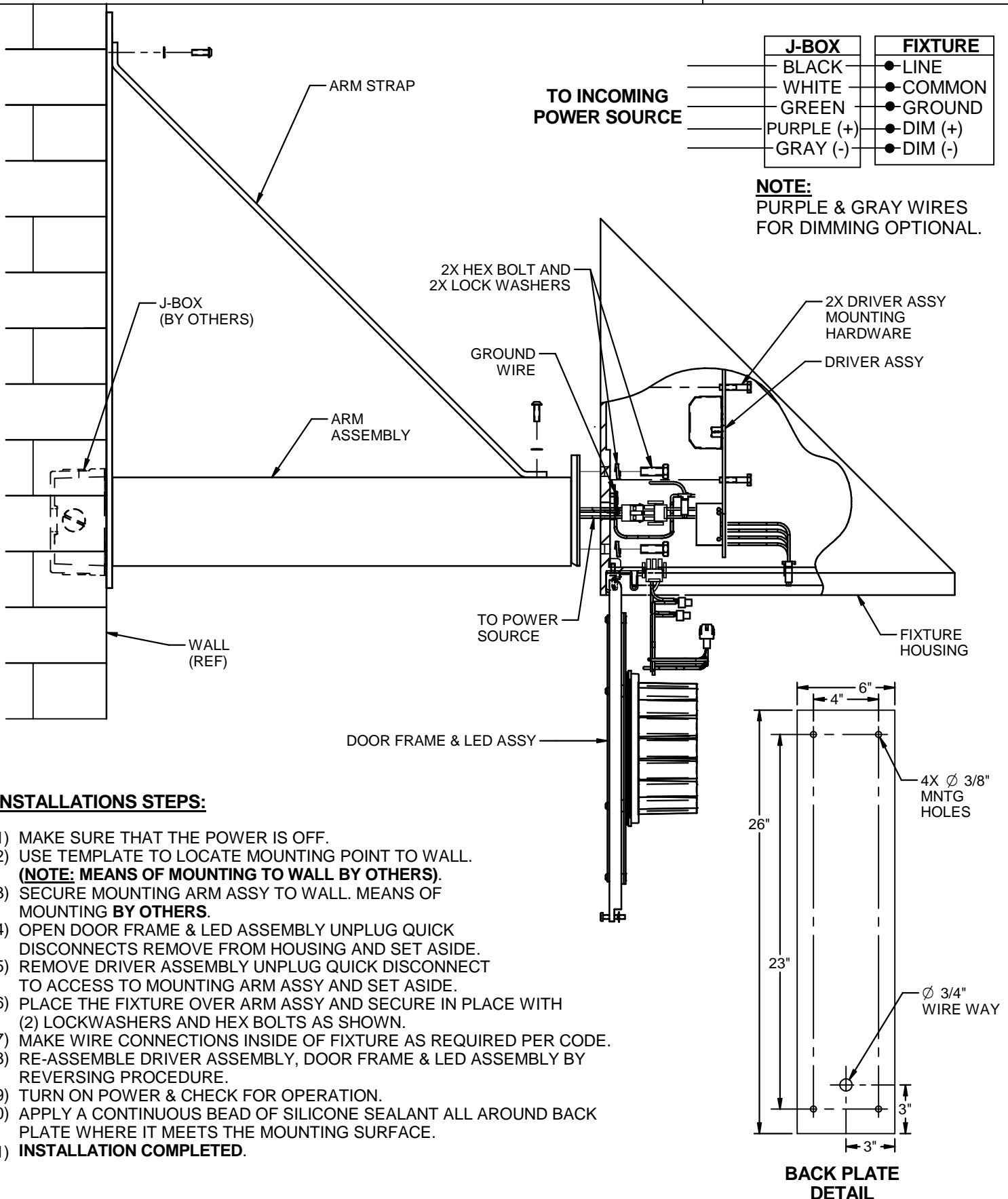


INSTALLATION INSTRUCTIONS

CATALOG NUMBER

M2-LED-WDXA



INSTALLATIONS STEPS:

- 1) MAKE SURE THAT THE POWER IS OFF.
- 2) USE TEMPLATE TO LOCATE MOUNTING POINT TO WALL.
(NOTE: MEANS OF MOUNTING TO WALL BY OTHERS).
- 3) SECURE MOUNTING ARM ASSY TO WALL. MEANS OF MOUNTING **BY OTHERS.**
- 4) OPEN DOOR FRAME & LED ASSEMBLY UNPLUG QUICK DISCONNECTS REMOVE FROM HOUSING AND SET ASIDE.
- 5) REMOVE DRIVER ASSEMBLY UNPLUG QUICK DISCONNECT TO ACCESS TO MOUNTING ARM ASSY AND SET ASIDE.
- 6) PLACE THE FITXURE OVER ARM ASSY AND SECURE IN PLACE WITH (2) LOCKWASHERS AND HEX BOLTS AS SHOWN.
- 7) MAKE WIRE CONNECTIONS INSIDE OF FITXURE AS REQUIRED PER CODE.
- 8) RE-ASSEMBLE DRIVER ASSEMBLY, DOOR FRAME & LED ASSEMBLY BY REVERSING PROCEDURE.
- 9) TURN ON POWER & CHECK FOR OPERATION.
- 10) APPLY A CONTINUOUS BEAD OF SILICONE SEALANT ALL AROUND BACK PLATE WHERE IT MEETS THE MOUNTING SURFACE.
- 11) **INSTALLATION COMPLETED.**